



FAG Top-Laser SMARTY2 FAG Top-Laser TRUMMY2

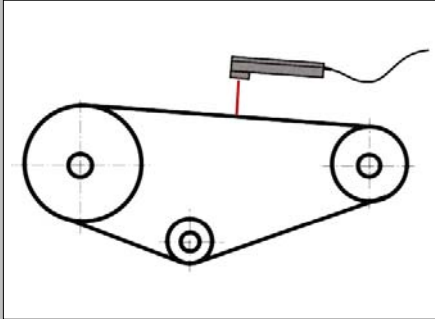
*A strong double act –
for alignment and tensioning of belt drives*

Achieving maximum performance and optimum service life from belt drives depends on correct alignment and optimum tensioning

SMARTY2 and TRUMMY2 are two precision instruments for

- prevention of bearing damage
- reduction of running noise
- saving energy and costs

**With new
features!**



Top-Laser TRUMMY2 and SMARTY2 are used in belt drives for:

- ventilators
- fans
- conveying equipment
- pumps
- compressors
- etc.

Advantages of Top-Laser TRUMMY2

- **Optimum measurement and setting of belt tension**
 - through display of all relevant parameters in frequency (Hz) or force (N)
- **Suitable for use at difficult to access locations**
 - by means of the sensor with cable included in delivery
- **New: simple handling**
 - through measurement with one hand

Advantages of Top-Laser SMARTY2

- **More precise than conventional alignment methods**
 - through easy-to-use laser beam adjustment
- **New: precise determination and documentation of machine alignment**
 - through option for digital display of adjustment values in real time

Further advantages

- Significant reduction in wear of drive components
- Longer runtime and higher reliability of machinery and plant
- Lower energy costs
- Higher cost-efficiency
- Simple handling and very user friendly

For further information on FAG maintenance products, just ask for a copy of our catalogue!



Schaeffler KG

Georg-Schäfer-Strasse 30
 97421 Schweinfurt
 Germany
 Phone: +49-(0)2407-914999
 Fax: +49-(0)2407-914959
 E-Mail: info@fis-services.com
www.fis-services.com